



solar panels to heat pools

Europanel Frame Kit

side channel only (no rear support bars)

(for fitting to customer's own specific master frame)

Suncell europanel sidechannels comprise aluminium extrusions which retain the panel along the full length of each side yet allowing both horizontal and vertical thermal expansion. They are designed for fixing to a pre-erected structure which also provides suitable support for the panels.

Sidechannel Kits are available for:-

Model 020M, 2m panels

Kit code SC.020.FKS

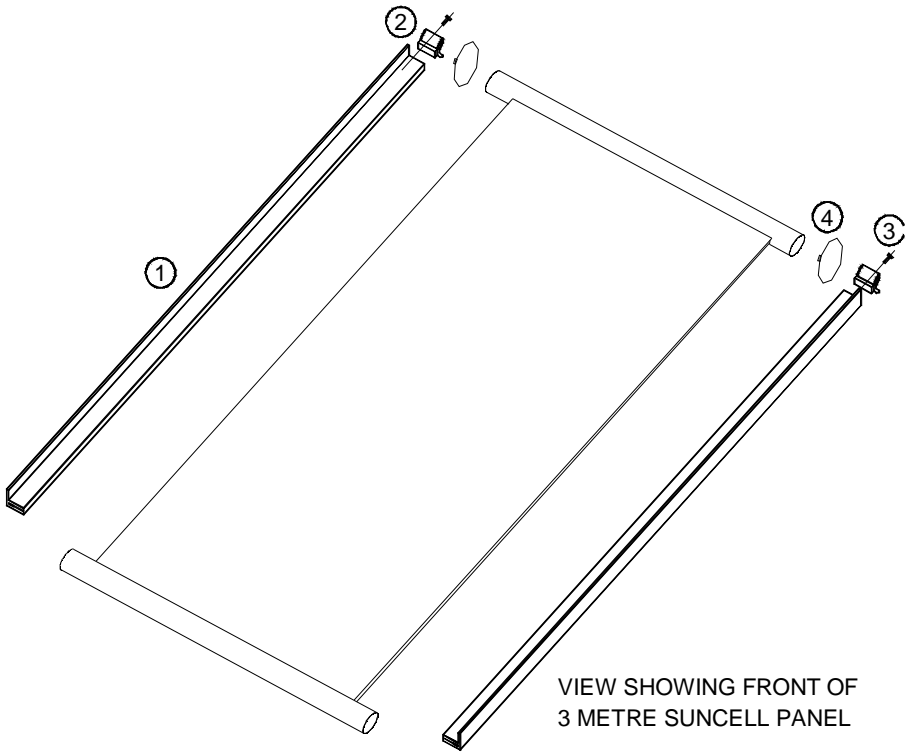
Model 030M, 3m panels

Kit code SC.030.FKS

A typical structure for four panels is shown overleaf.

Assembly Instructions

1. Fix the header support cups (2) to the top of each side channel (1) with the self-tapping screws (3) provided, one left handed the other right handed.
2. Ensure that the top purlin is absolutely horizontal. Set one side channel on the support purlins at one end of the structure with the header support cup hooked over the top purlin. Ensure that the side channel is at right angles to the top purlin with the side flange pointing upwards, and then mark the fixing positions using the extruded groove as the centre line of the fixing holes. Drill fixing holes through the side channel allowing a good clearance for the fixing screws (not provided).
3. Drill purlins using correct drill for the fixing screws and fix the side channel.
4. Set up the opposing side channel so that the overall width is exactly 1260mm and mark and drill holes in the side channel and purlins as above.
5. Assemble appropriate end caps and or flexible hoses on to the solar panel header pipes ensuring that the hose clips will not interfere with the header support cups. Mount the side channel on to the panel and offer the assembly into the existing fixed side channel. Fix the loose side channel using the pre-drilled holes.
6. Assemble the remaining panels as above. Adjacent side channels should abut.
7. Retain the panels by fitting the pipe ties (4) through the opening in the header support cup and secure round the flexible connector hose, not too tightly, so as to allow for thermal movement.



**ALUMINIUM FRAME KIT FOR MOUNTING
ON PREPARED TIMBER FRAMEWORK**

KIT COMPONENTS			QTY PER KIT	
ITEM	DESCRIPTION	PART No.	2 METRE	3 METRE
1	SIDE CHANNEL	2 METRE	2	
		3 METRE		2
2	HEADER SUPPORT CUP	SC.001.HSC	2	2
3	SELF TAPPING SCREWS	SC.010.STS	2	2
4	BLACK PIPE TIE	SC.076.BPT	2	2