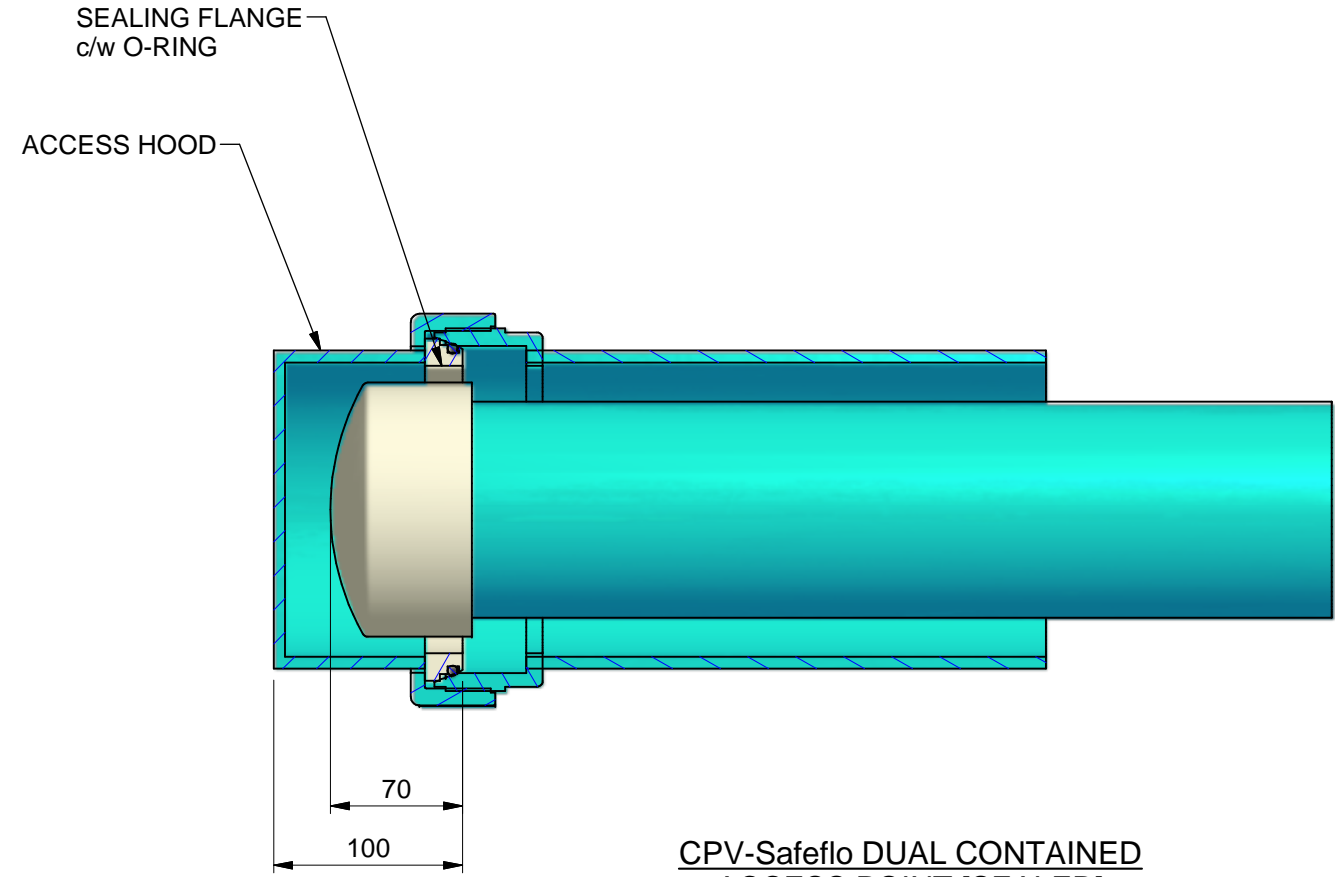


8 | 7 | 6 | 5 | 4 | 3 | 2 | 1

REVISION HISTORY	
ISS	DESCRIPTION
1	DRAWING CREATED

Distribution | CNC | EXT | FAB | FT | DC | M/C | MOU | PAC | PROD/C | PUR | QA | STO | SUN | TR

THIRD ANGLE PROJECTION  
DO NOT SCALE



CPV-Safeflo DUAL CONTAINED  
ACCESS POINT [SEALED]

**MATERIAL:**

**FINISH:**

DIMENSIONS: mm  
TOLERANCES  
(UNLESS STATED):  
UNIT ± 0.5  
0.0 ± 0.25  
0.00 ± 0.1  
ANGULAR ± 2'

ISSUE	1						
DATE	03.12.09						
DRAWN	CW						
APPVD							

**CPV**  
ENGINEERING PIPEWORK SOLUTIONS

THIS DRAWING IS THE PROPERTY OF CPV LTD. AND MAY NOT WITHOUT EXPRESS WRITTEN CONSENT BE COPIED IN WHOLE OR IN PART OR USED FOR ANY PURPOSE OTHER THAN FOR WHICH IT WAS SUPPLIED

CPV LIMITED  
EAST WELLOW  
HAMPSHIRE  
SO51 6DQ

TEL: +44 (0)1794 325884  
FAX: +44 (0)1794 325885  
Email: sales@cpv.co.uk  
Web: www.cpv.co.uk

**PROJECT:**  
RES'CH & TRAINING FACILITY

**CLIENT:**  
NATIONAL INSTITUTE for BIOPROCESSING,  
RESEARCH & TRAINING

**SCALE:** 1 : 4

**DWG No:**  
CPV-NIBRT-RTF-SC5<sup>SH1</sup><sub>OF1</sub>

**TITLE:**  
TYPICAL DUAL CONTAINMENT  
ACCESS POINT DETAILS

**FILE LOCATION:** F:\CPV\Cad Archive\Safeflo\Projects\Dublin Research & Training Centre\CPV-NIBRT-RTF-SC5.dwg

8 | 7 | 6 | 5 | 4 | 3 | 2 | 1