

Stablock Install Guide



CPV Ltd
Woodington Road, East Wellow
Romsey, Hampshire, SO51 6DQ
Tel: 01794 322884
Web: www.cpv.co.uk/zurn

 **CPV-ZURN**
laboratory & chemical drainage

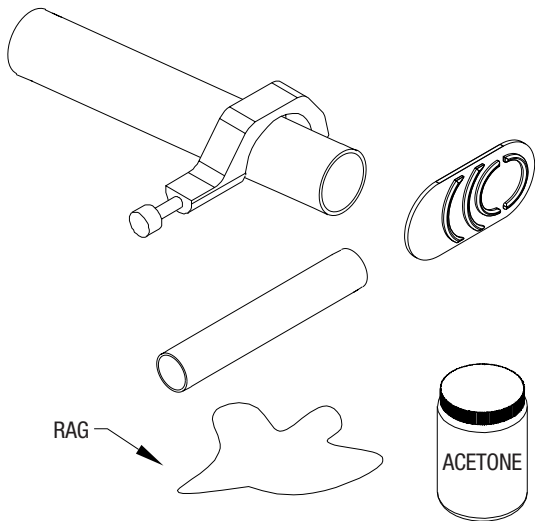
Stablock Install Guide

Note: Pipe, fittings and seals cannot be stored outdoors or in presence of UV light unless material is shielded as change will occur and inhibit proper installation.

STEP 1

Cut pipe square to appropriate length and deburr ends.

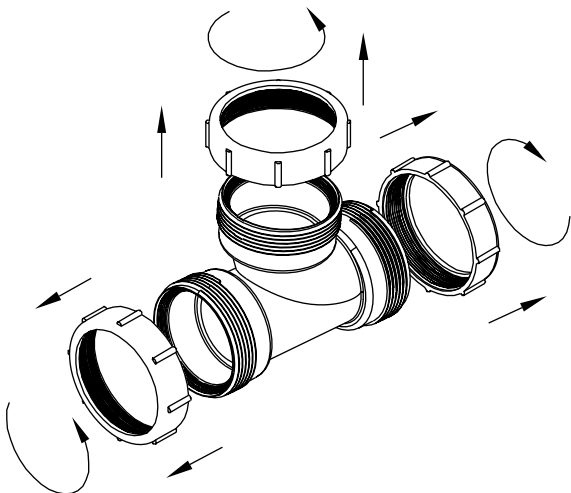
Note: Be certain pipe is visibly free of any dirt or debris. Acetone cleaner may facilitate the cleaning process. Chop saw or pipe cutting tool will ensure square cuts.



Note: For 3 inch and 4 inch pre-grooved fittings, use CPV-Zurn standard Mechanical Joint Seals (supplied with the fitting). For 1.5 and 2 inch pre-grooved fittings use Stablock Joint Seals.

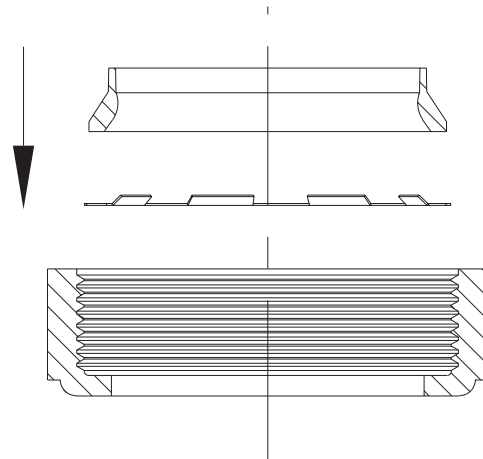
STEP 2

Remove nuts from fittings.



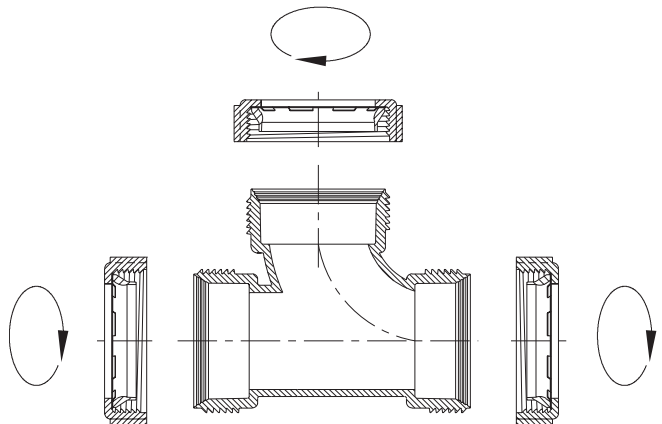
STEP 3

Lubricate inside and outside of seal with petroleum jelly. Insert stainless steel ring and polyethylene seal into nut as shown.



STEP 4

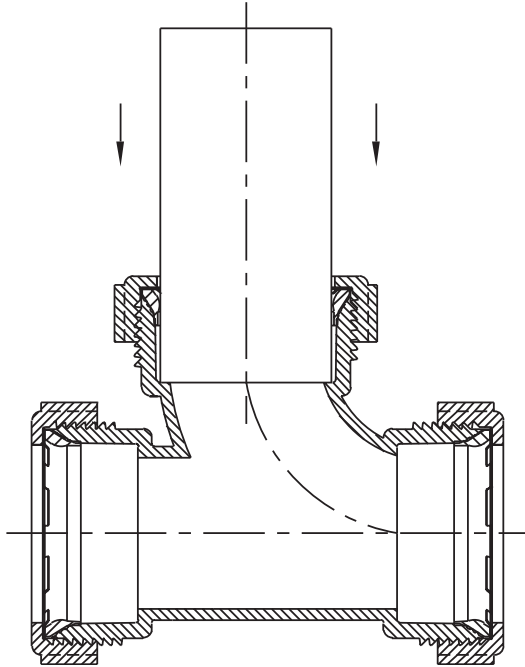
Lubricate fitting threads with petroleum jelly and reapply nuts containing ring and seal. Handtighten the nuts.



STEP 5

Insert pipe into the joint assembly completely.

Important: Failure to insert pipe fully into the fitting could effect joint integrity.



STEP 6

With the Zurn spanner wrench, tighten nuts until snug.

